

"innovation in its most functional form"

## PRODUCT DATA SHEET

# FA9TE

## HYDRAULIC FIXED FLANGE AND ROTATIONAL ALIGNMENT TOOL

ALIGNING FORCE:  
10,000 psi (700 bar) = 9 T (90 kN)

TOOL WEIGHT = 14.5 kg (32 lbs)

### KIT COMPONENTS

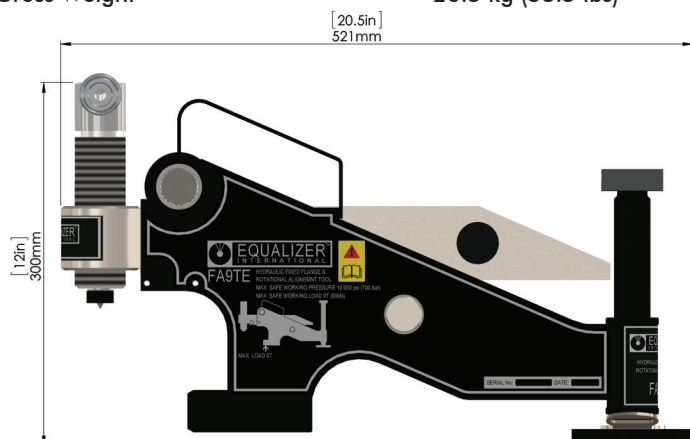
- 1 x FA9TE Tool
  - 1 x 10,000 psi (700 bar) Hydraulic Hose, 2m (78")
  - 1 x 10,000 psi (700 bar) Hydraulic Cylinder
  - 1 x 10,000 psi (700 bar) HP350S Sealed Hand Pump with Gauge
  - 1 x Ratchet Strap
  - 1 x Instruction Manual
  - 1 x Carry-Case
- Product Code: FA9TESTD



### WEIGHTS AND DIMENSIONS

- Tool Weight = 14.5 kg (32 lbs)
- Case Weight = 6.5 kg (14.3 lbs)
- Gross Weight = 26.5 kg (58.5 lbs)

Carry-Case Dimensions:  
920 x 520 x 210mm (36.2" x 20.5" x 8.3")



info@equalizerinternational.com  
www.equalizerinternational.com

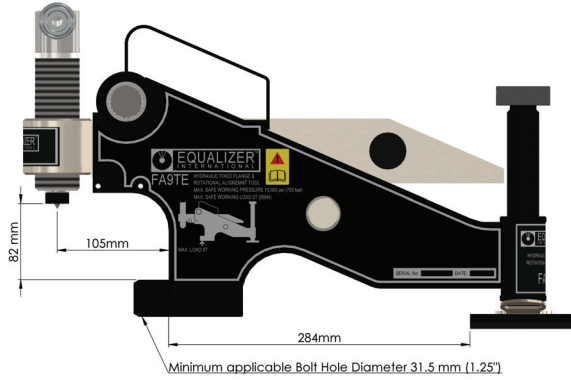
# FA9TE

HYDRAULIC FIXED FLANGE AND  
ROTATIONAL ALIGNMENT TOOL

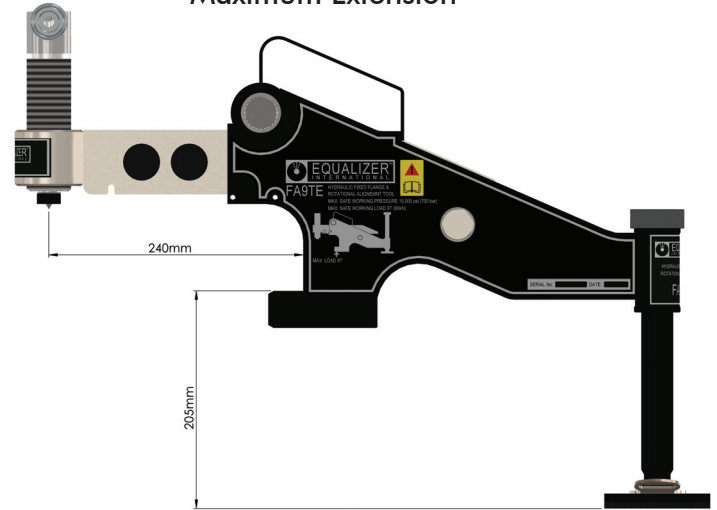


"innovation in its most functional form"

Minimum Extension



Maximum Extension



## RANGE OF APPLICATION

### ASME Weld neck

Class	150	300	400	600	900	1500	2500
Range	32" - 48"	28" - 48"	26" - 48"	22" - 48"	16" - 30"	10" - 20"	5" - 12"

### DIN Weld neck

Class	PN100	PN160
Range	10" - 14"	8" - 12"

### SPO compact Weld neck

Class	300	600	900	1500	2500	5000	7500	10000	15000
Range	34" - 48"	26" - 48"	22" - 48"	14" - 44"	12" - 24"	12" - 24"	10" - 22"	10" - 22"	6" - 16"

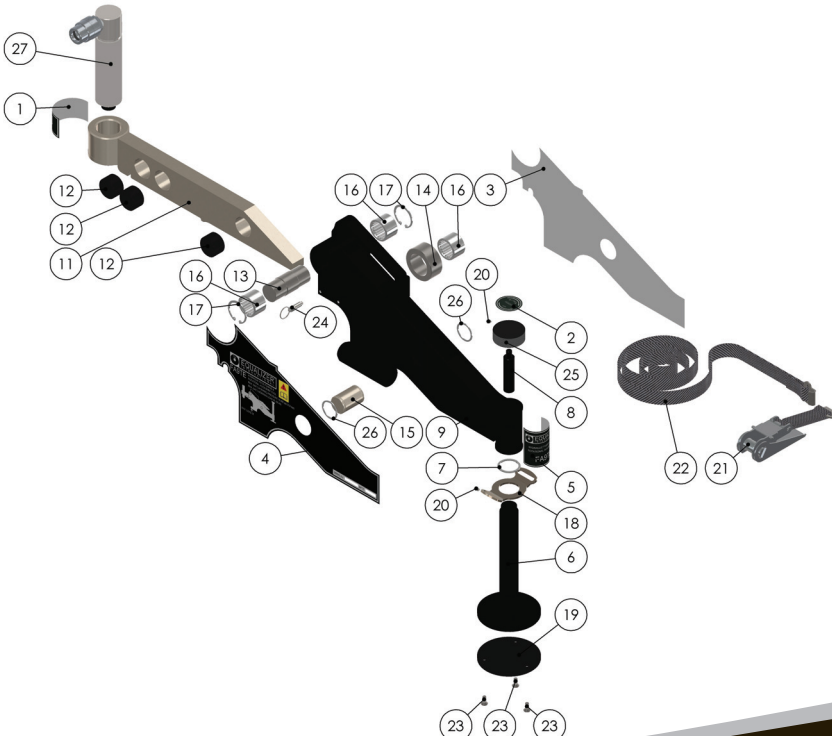
### BS10 Weld neck

Class	D	E	F	J	K	R	S	T
Range	54" - 120"	42" - 48"	39" - 48"	17" - 24"	13" - 20"	12" - 20"	8" - 16"	7" - 14"

### API 6B&6BX Weld Neck

Class	2000	3000	5000	10000	15000	20000
Range	11"	5 1/8" - 11"	4 1/16" - 11"	7 1/16" - 16 3/4"	4 1/16" - 7 1/16"	2 9/16" - 4 1/16"

## PARTS LIST



ITEM	PART No.	DESCRIPTION	QUANTITY
1	070233-01	- LOGO FOR WING	01
2	070273-01	- DROP LEG KNOB STICKER	01
3	070276-01	- BODY PLATE STICKER LEFT	01
4	070277-01	- BODY PLATE STICKER RIGHT	01
5	070278-01	- LOGO FOR BOSS	01
6	220600-01	- LEG SCREW	01
7	220602-01	- SPIROL CLIP	01
8	220700-01	- LEG SCREW EXTENSION	01
9	230100-01	- MAIN BODY	01
10	230112-01	- SPRING PIN	02
11	230200-01	- WING ARM	01
12	230202-01	- PLASTIC INSERT	03
13	230300-01	- FRONT ROLLER PIN	01
14	230400-01	- REAR ROLLER	01
15	230500-01	- REAR ROLLER PIN	01
16	230600-01	- NEEDLE BEARING	03
17	230700-01	- CIRCLIP	02
18	230802-01	- BUCKLE	01
19	230803-01	- ROUND BASE PAD	01
20	300401-01	- SCKT SET SCREW	02
21	400270-01	- RATCHET	01
22	400280-01	- RATCHET STRAP	01
23	400901-01	- CTRS SCREW	03
24	632001-01	- SPRING PLUNGER	01
25	713001-01	- RELEASE KNOB	01
26	901601-01	- SPIROL CLIP	02
27	903101-01	- HYDRAULIC CYLINDER	01